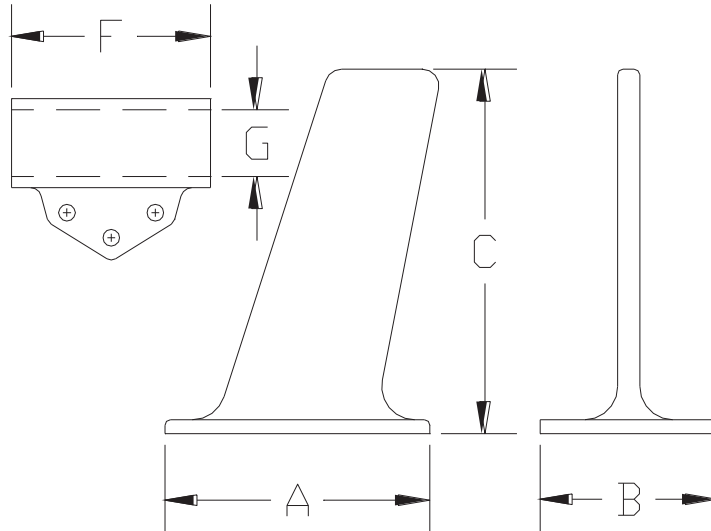


ADJUSTABLE STRUTS



ADJUSTABLE STRUTS

MA PART	A	B	C	F	G	WEIGHT
2-02172	6	4	8 3/16			5.25
2-02182-G				4 1/2	1 1/2	3
2-02192	8 1/2	5 1/4	9			16.5
2-02192-2	8 1/2	5 1/4	9			
2-02202-L				5 1/8	2	
2-02662-VP	12	9	12 1/2	14 1/2	13 3/4 D	8
2-02672-RS	12	9	12 1/2	14 1/2	13 3/4 D	8
2-02672-VS	12	9	12 1/2	14 1/2	13 3/4 D	8
2-02962-LS	10	6	9 5/16	10 1/2	12 D	6
2-02972-LP	10	6	9 5/16	10 1/2	12 D	6