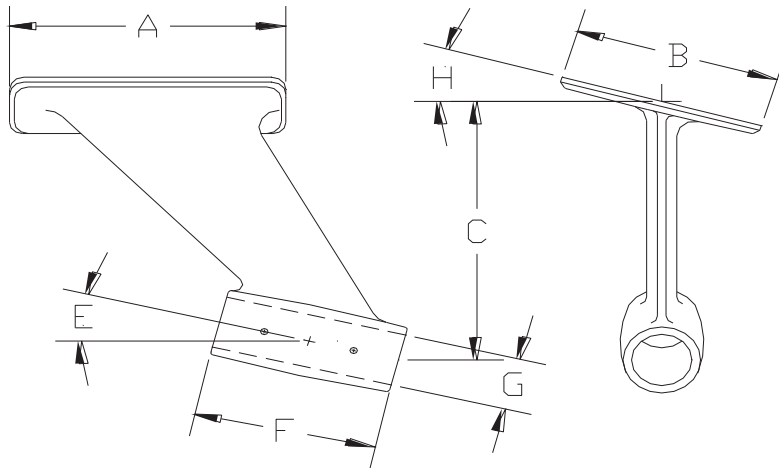


ANGLED DROP STRUTS



ANGLED DROP STRUTS

MA PART	A	B	C	D	E	F	G	H
2-02212-GP	6 1/8	6 1/8	7 3/16	8 13/16	15 1/2 D	6	1 1/2	20 D
2-02222-GS	6 1/8	6 1/8	7 3/16	8 13/16	15 1/2 D	6	1 1/2	20 D
2-02542-LS	8	6			12 D	5 1/2	2	17 D
2-02552-LP	8	6			12 D	5 1/2	2	17 D
2-02662-RP	12	9	12 1/2	14 1/2	13 3/4 D	8	2 5/8	16 D
2-02662-VP	12	9	12 1/2	14 1/2	13 3/4 D	8	3	16 D
2-02672-RS	12	9	12 1/2	14 1/2	13 3/4 D	8	2 5/8	16 D
2-02672-VS	12	9	12 1/2	14 1/2	13 3/4 D	8	3	16 D
2-02962-LS	10	6	9 5/16	10 1/2	12 D	6	2	
2-02972-LP	10	6	9 5/16	10 1/2	12 D	6	2	