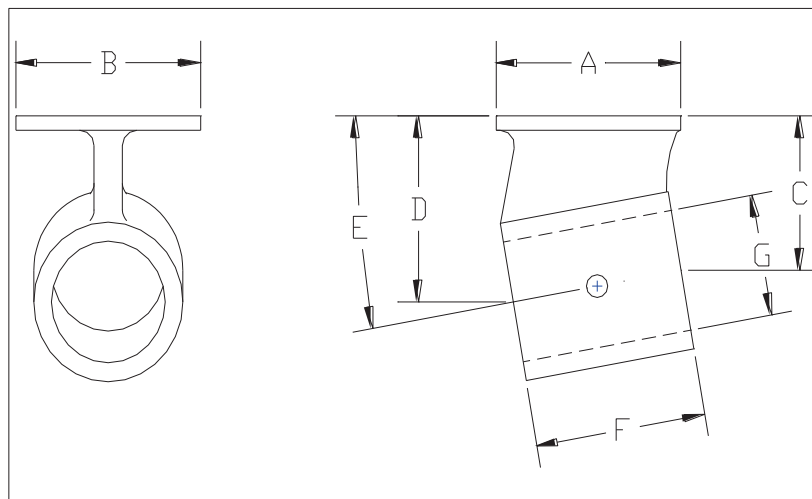


MID STRUTS



MID STRUTS

MA PART	A	B	C	D	E	F	G	WEIGHT
2-02122-P	8 5/8	5 3/8	2 3/8	3 5/8	10 D	7 1/16	2 3/8	13.75
2-02232-L	5 3/16	3 1/4	2 11/16	3 5/16	11 1/2 D	3	2	5.1
2-02232-L2	5 3/16	3 1/4	2 3/4	3 1/4	10 D	3	2	5.1
2-02232-L3	5 3/16	3 1/4	2 11/16	3 5/16	12 1/4 D	3	2	5.1
2-02232-L4	5 3/16	3 1/4	2 3/4	3 1/4	9 3/4 D	3	2	5.1
2-02232-L5	5 3/16	3 1/4	2 3/4	3 1/4	11 1/2 D	3	2	5.1
2-02232-P3	5 3/16	3 1/4	2 11/16	3 5/16	12 1/4 D	3	2 3/8	5.1
2-02322-P	5 3/4	4 1/4	3 7/8	4 5/8	12 1/2 D	3 1/2	2 3/8	8.2
2-02322-P2	5 3/4	4 1/4	4	4 1/2	8 1/2 D	3 1/2	2 3/8	802
2-02522-V	11	9 1/2	5 7/16	7	9 D	10	3	63
2-02522-W	11	9 1/2	5 7/16	7	9 D	10	3 1/8	63
2-02572-V	11	9 1/2	4 1/16	5 1/4	6 3/4 D	10	3	61
2-02572-W	11	9 1/2	4 1/16	5 1/4	6 3/4 D	10	3 1/8	61
2-02592-R	10	7	5	6 1/2	10 1/2 D	8	2 5/8	40
2-02942-P	4 1/4	5 3/4	2 5/8	3 3/8	12 D 15'	3 1/2	2 3/8	
2-02942-P2	4 1/4	5 3/4	2 11/16	3 5/16	10 D	3 1/2	2 3/8	